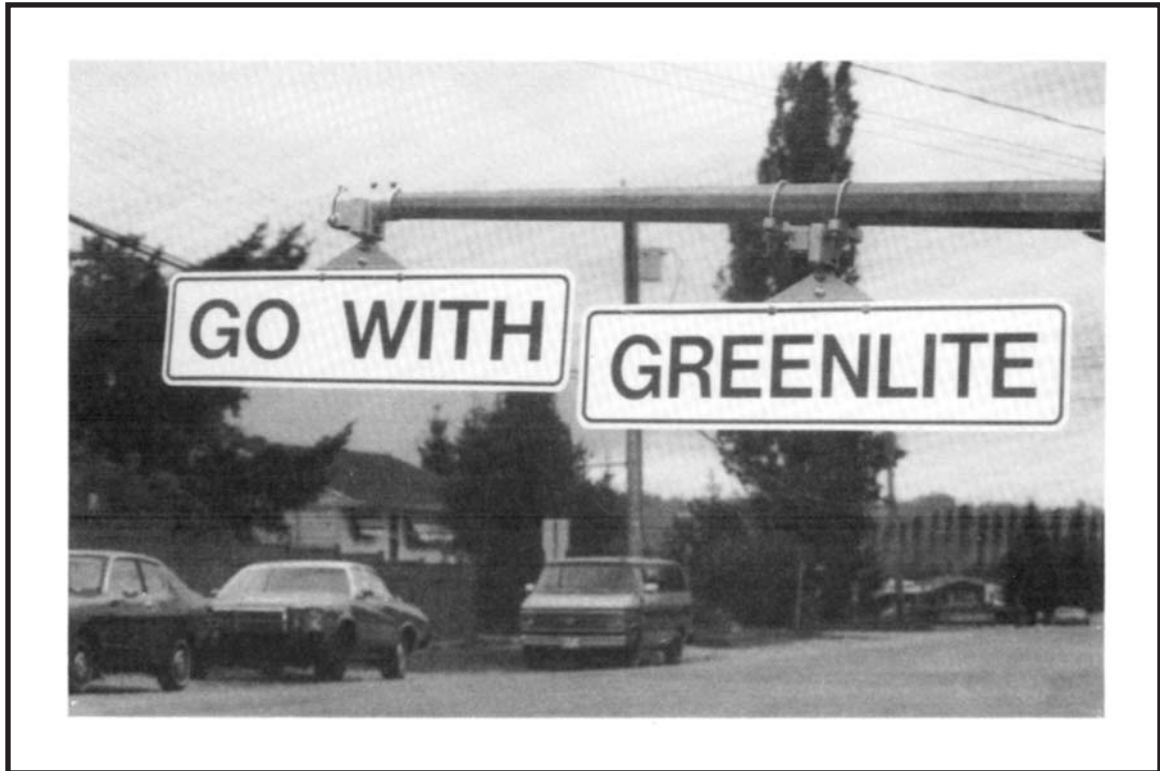


GREENLITE TRAFFIC SIGNAL ACCESSORIES

GREENLITE TRAFFIC Signal Accessories are engineered to meet or exceed all standards contained in *The Manual for Uniform Traffic Control Devices for Canada*. GREENLITE TRAFFIC Designs meet all specifications set by the Institute for Traffic Engineers.



GREENLITE TRAFFIC Signal Accessories are developed through consultation with traffic engineers and with advice from field staff and traffic maintenance crews.

GREENLITE TRAFFIC offers custom designing and production services that find solutions to any traffic control system problem.



Greenlite Traffic

P.O. Box 64551
Coquitlam, B.C. V3J 7V7
Website: <http://www.GreenliteTraffic.com>

Phone: (604) 936-1961
Fax: (604) 936-1922
Toll Free: 1-888-936-1961
Email: info@GreenliteTraffic.com

POLE PLATE - GEL 110 - WITH ENTRANCE NIPPLE



- Highest quality construction
- Aluminum alloy casting. High purity. (B135T6) Heat treated.
- Powder coated Greenlite Traffic green (other colours upon request)
- Neoprene '0" ring for water - tight seal
- Standard stainless hardware
 - 2 only 3/8 x 1 1/4 hex head bolt
 - 2 only flat washer
 - 2 only nylon washer
- Shipping weight - 1 lb 8 oz



Greenlite Traffic

P.O. Box 64551
Coquitlam, B.C. V3J 7V7
Website: <http://www.GreenliteTraffic.com>

Phone: (604) 936-1961
Fax: (604) 936-1922
Toll Free: 1-888-936-1961
Email: info@GreenliteTraffic.com

POLE PLATE - GEL 112 - WITHOUT ENTRANCE NIPPLE



- Highest quality construction
- Aluminum alloy casting. High purity. (B135T6) Heat treated.
- Powder coated Greenlite Traffic green (other colours upon request)
- Standard stainless hardware
 - 2 only 318 x 1 1/4 hex head bolt
 - 2 only flat washer
 - 2 only nylon washer
- Shipping weight - 1 lb 8 oz

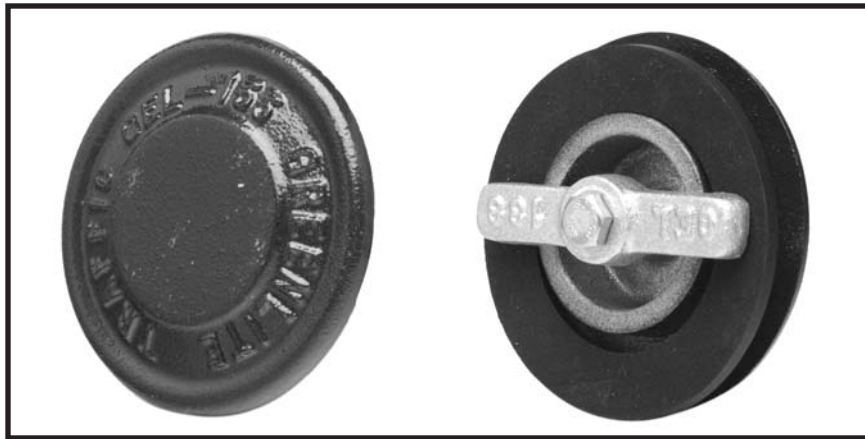


Greenlite Traffic

P.O. Box 64551
Coquitlam, B.C. V3J 7V7
Website: <http://www.GreenliteTraffic.com>

Phone: (604) 936-1961
Fax: (604) 936-1922
Toll Free: 1-888-936-1961
Email: info@GreenliteTraffic.com

FINIALS - GEL 133



- Highest quality construction
- Aluminum alloy casting. High purity. (B I 35T6) Heat treated.
- Powder coated Greenlite Traffic green
(other colours upon request)
- Neoprene gasket for water - tight connection to signal housing
- All stainless hardware
- Shipping weight - 4 oz



Greenlite Traffic

P.O. Box 64551
Coquitlam, B.C. V3J 7V7
Website: <http://www.GreenliteTraffic.com>

Phone: (604) 936-1961
Fax: (604) 936-1922
Toll Free: 1-888-936-1961
Email: info@GreenliteTraffic.com

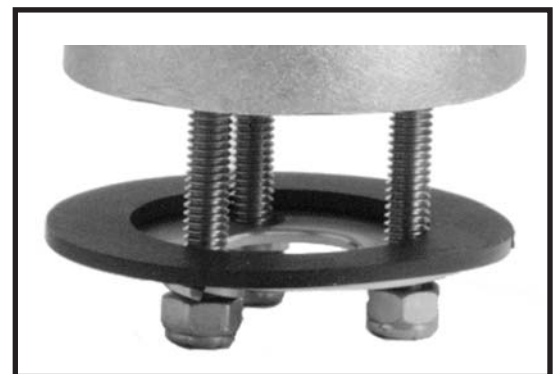
POST MOUNT ADAPTER - GEL 143



- Highest quality construction
- Aluminum alloy casting. High purity (B135T6) Heat treated.
- Powder coated Greenlite Traffic green (other colours upon request)
- All stainless hardware
- Nylon nut locking system
- 1 per box
- Shipping weight - 4 lb 4 oz

TRI-STUD CONNECTOR ASSEMBLY

- This unique design greatly simplifies assembly and disassembly
- All stainless hardware
- Neoprene gasket for water - tight connections to signal housing
- Nylock nut locking system

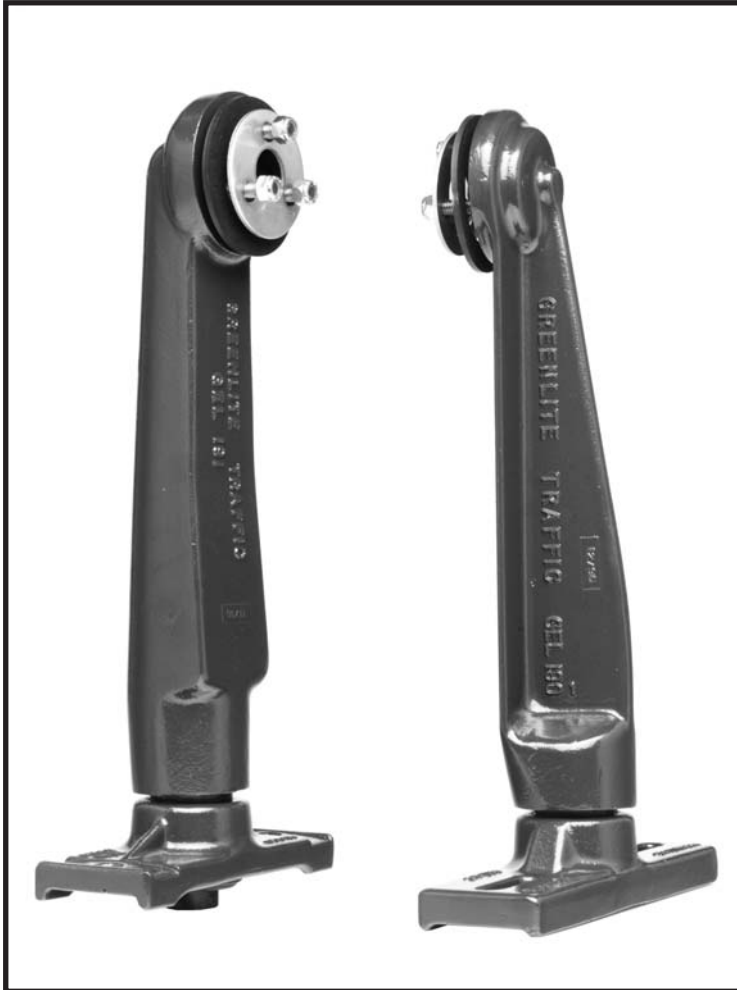


Greenlite Traffic

P.O. Box 64551
Coquitlam, B.C. V3J 7V7
Website: <http://www.GreenliteTraffic.com>

Phone: (604) 936-1961
Fax: (604) 936-1922
Toll Free: 1-888-936-1961
Email: info@GreenliteTraffic.com

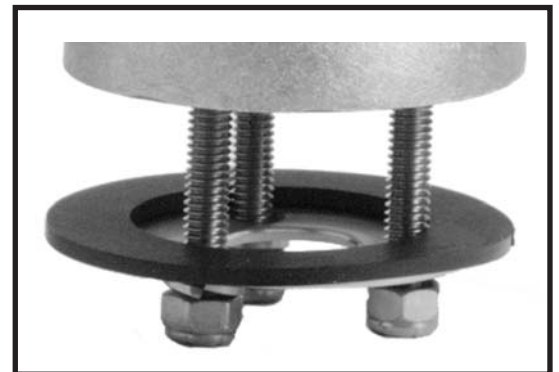
SIDE MOUNT KIT - GEL 189



- Highest quality construction
- Aluminum alloy casting. High purity. (B135T6) Heat treated.
- Powder coated Greenlite Traffic green (other colours upon request)
- Neoprene gasket for water-tight connection to accommodate for electrical wiring
- All stainless hardware
- Nylock nut locking system
- Shipping weight - 9 lbs 5 oz

TRI-STUD CONNECTOR ASSEMBLY

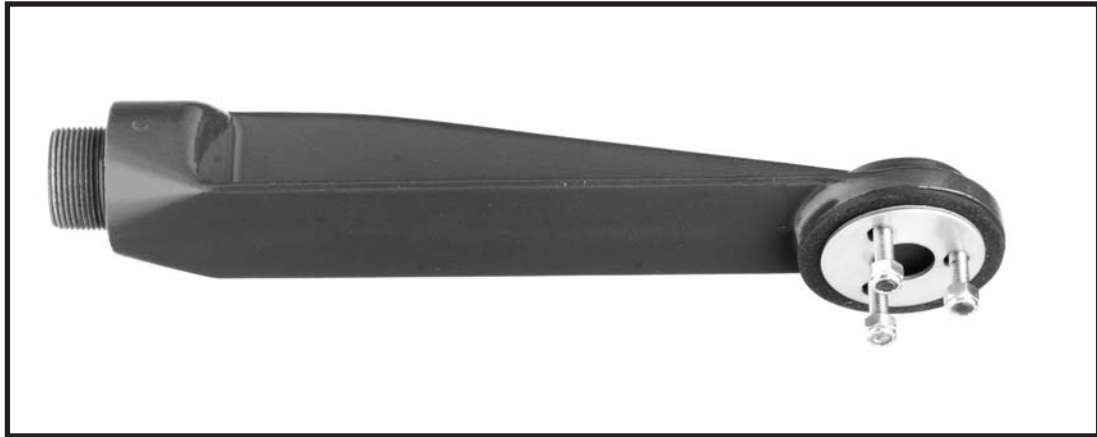
- This unique design greatly simplifies assembly and disassembly
- All stainless hardware
- Neoprene gasket for water - tight connections to signal housing
- Nylock nut locking system



 **Greenlite Traffic**
P.O. Box 64551
Coquitlam, B.C. V3J 7V7
Website: <http://www.GreenliteTraffic.com>

Phone: (604) 936-1961
Fax: (604) 936-1922
Toll Free: 1-888-936-1961
Email: info@GreenliteTraffic.com

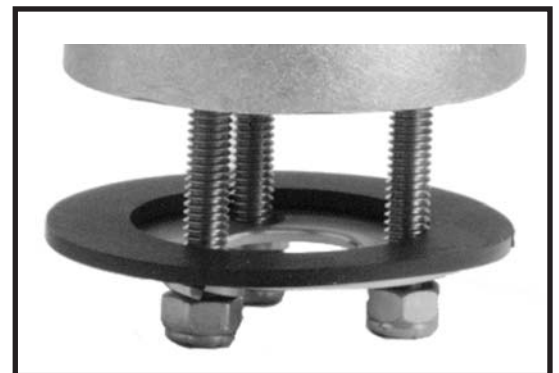
SINGLE ARM "T" BRACKET - GEL 190



- Highest quality construction
 - Aluminum alloy casting. High purity. (R135T6) Heat treated.
 - Powder coated Greenlite Traffic green (other colours upon request)
 - All stainless hardware
 - Nylon nut locking system
- Shipping weight - 2 lb ~ 3 oz

TRI-STUD CONNECTOR ASSEMBLY

- This unique design greatly simplifies assembly and disassembly
- All stainless hardware
- Neoprene gasket for water - tight connections to signal housing
- Nylock nut locking system

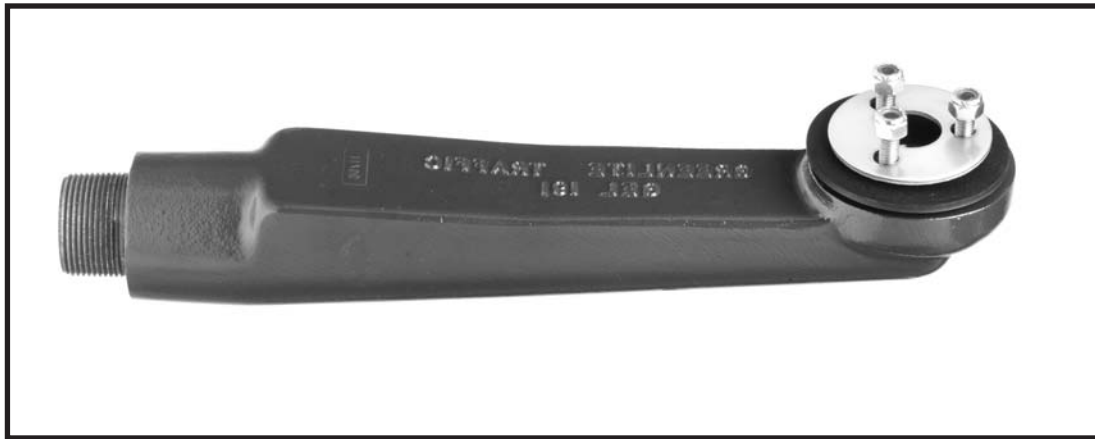


Greenlite Traffic

P.O. Box 64551
Coquitlam, B.C. V3J 7V7
Website: <http://www.GreenliteTraffic.com>

Phone: (604) 936-1961
Fax: (604) 936-1922
Toll Free: 1-888-936-1961
Email: info@GreenliteTraffic.com

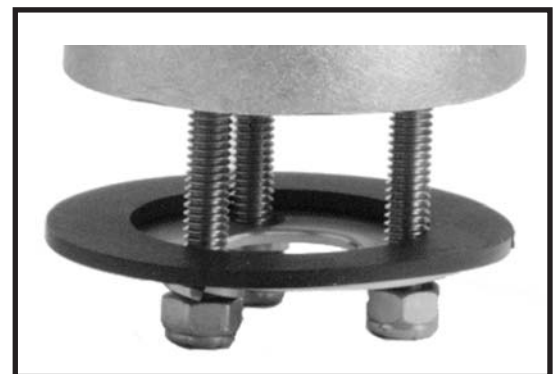
SINGLE ARM TUBULAR - GEL 191



- Highest quality construction
- Aluminum alloy casting. High purity. (B135T6) Heat treated.
- Powder coated Greenlite Traffic green (other colours upon request)
- Neoprene gasket on tubular for water-tight connections for electrical wiring
- All stainless hardware
- Nylock nut locking system
- Shipping weight - 3 lbs 5 oz

TRI-STUD CONNECTOR ASSEMBLY

- This unique design greatly simplifies assembly and disassembly
- All stainless hardware
- Neoprene gasket for water - tight connections to signal housing
- Nylock nut locking system

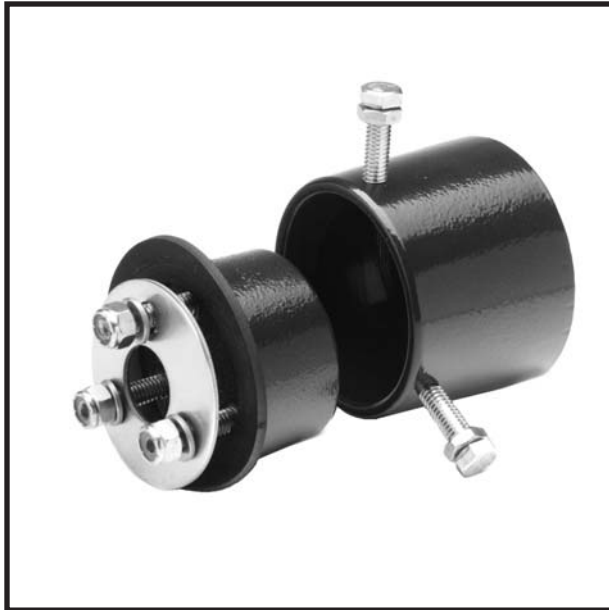


Greenlite Traffic

P.O. Box 64551
Coquitlam, B.C. V3J 7V7
Website: <http://www.GreenliteTraffic.com>

Phone: (604) 936-1961
Fax: (604) 936-1922
Toll Free: 1-888-936-1961
Email: info@GreenliteTraffic.com

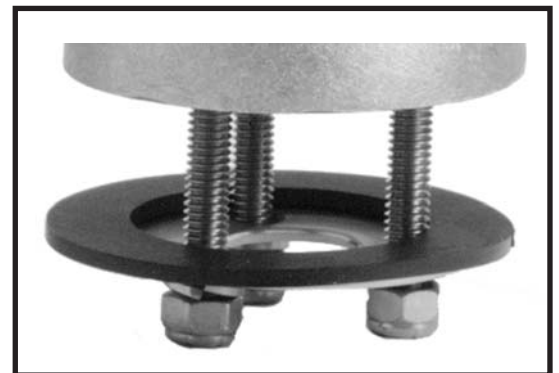
SMALL SPACER - GEL 197



- Highest quality construction
- Aluminum alloy casting. High purity. (B135T6) Heat treated.
- Powder coated Greenlite Traffic green (other colours upon request)
- All stainless hardware
- Nylon nut locking system
- Spacer height: 75 mm
- 1 per box
- Shipping weight - 1 lb 9 oz

TRI-STUD CONNECTOR ASSEMBLY

- This unique design greatly simplifies assembly and disassembly
- All stainless hardware
- Neoprene gasket for water - tight connections to signal housing
- Nylock nut locking system



Greenlite Traffic

P.O. Box 64551
Coquitlam, B.C. V3J 7V7
Website: <http://www.GreenliteTraffic.com>

Phone: (604) 936-1961
Fax: (604) 936-1922
Toll Free: 1-888-936-1961
Email: info@GreenliteTraffic.com

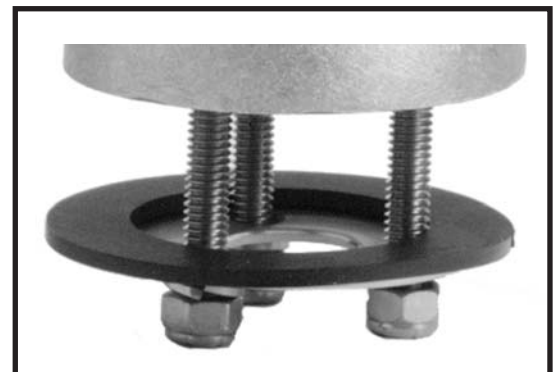
LARGE SPACER - GEL 198



- Highest quality construction
- Aluminum alloy casting. High purity. (B135T6) Heat treated.
- Powder coated Greenlite Traffic green (other colours upon request)
- All stainless hardware
- Nylock nut locking system
- Spacer height: 305 mm
- 1 per box
- Shipping weight - 2 lbs 15 oz

TRI-STUD CONNECTOR ASSEMBLY

- This unique design greatly simplifies assembly and disassembly
- All stainless hardware
- Neoprene gasket for water - tight connections to signal housing
- Nylock nut locking system

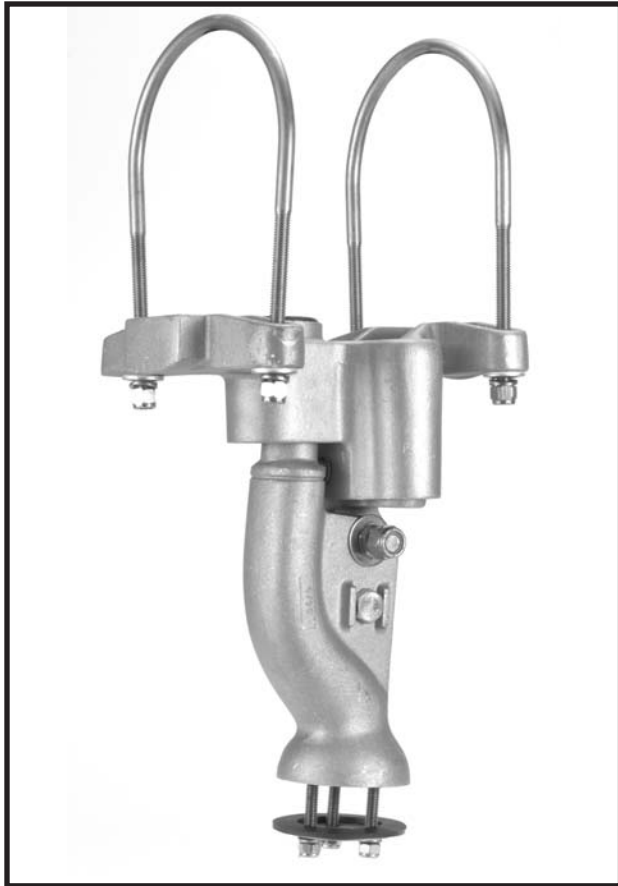


Greenlite Traffic

P.O. Box 64551
Coquitlam, B.C. V3J 7V7
Website: <http://www.GreenliteTraffic.com>

Phone: (604) 936-1961
Fax: (604) 936-1922
Toll Free: 1-888-936-1961
Email: info@GreenliteTraffic.com

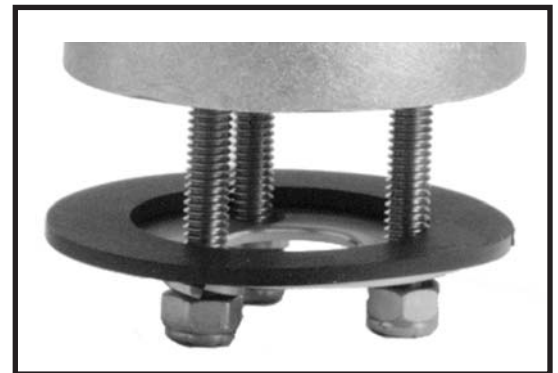
MID-SPAN CUSHION HANGER - GEL 307



- Highest quality construction
- Aluminum alloy casting. High purity. (B135T6) Heat treated.
- Supplied in cast aluminum finish
- Simple 15 degree lateral and vertical adjustment makes installation quicker easy to set plum to road and Greenlite Traffic design accomodates a wider range of mast arm arc
- Spring cushioned deflection which reduces mast arm loading
- Greenlite Traffic's hangers are safer and less prone to repair and replacement. All automatically return to pre-set position
- All stainless hardware
- Jam nut/nylock nut locking system
- 1 per carton
- Shipping weight: 9 lbs 6 oz

TRI-STUD CONNECTOR ASSEMBLY

- This unique design greatly simplifies assembly and disassembly
- All stainless hardware
- Neoprene gasket for water - tight connections to signal housing
- Nylock nut locking system

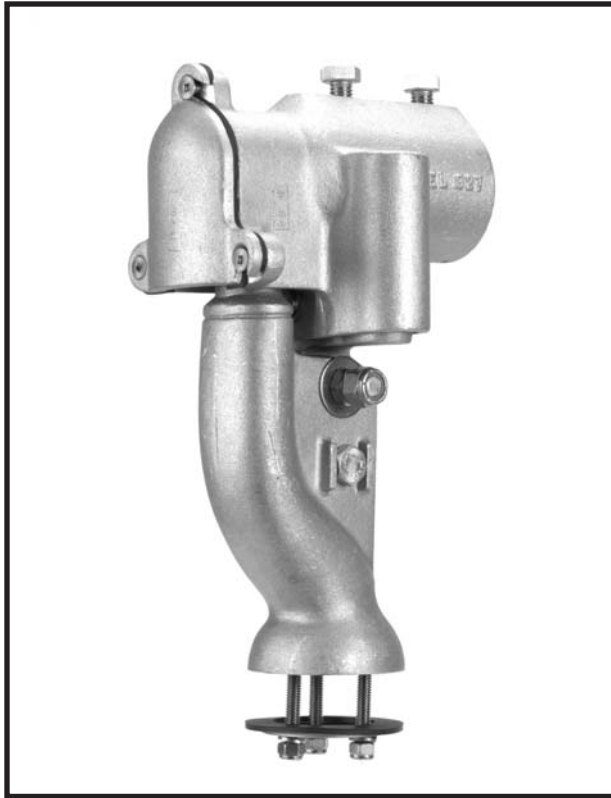


Greenlite Traffic

P.O. Box 64551
Coquitlam, B.C. V3J 7V7
Website: <http://www.GreenliteTraffic.com>

Phone: (604) 936-1961
Fax: (604) 936-1922
Toll Free: 1-888-936-1961
Email: info@GreenliteTraffic.com

END CUSHION HANGER - GEL 327



Highest quality construction Aluminum alloy casting. High purity. (B135T6) Heat treated. Supplied in cast aluminum finish Simple 15 degree lateral and vertical adjustment makes installation quicker; easy to set plum to road and Greenlite Traffic design accomodates a wider range of mast arm arc Spring cushioned deflection which reduces mast arm loading Greenlite Traffic's hangers are safer and less prone to repair and replacement. All automatically return to pre-set position All stainless hardware Jam nut/nylock nut locking system 1 per carton Shipping weight: 7 lbs ~ 1 oz

TRI-STUD CONNECTOR ASSEMBLY

This unique design greatly simplifies assembly and disassembly

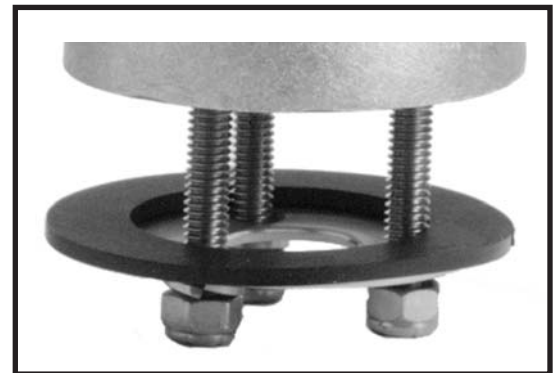
All stainless hardware

Neoprene gasket for watertight connections to signal housing

Nylock nut locking system

TRI-STUD CONNECTOR ASSEMBLY

- This unique design greatly simplifies assembly and disassembly
- All stainless hardware
- Neoprene gasket for water - tight connections to signal housing
- Nylock nut locking system



Greenlite Traffic

P.O. Box 64551

Coquitlam, B.C. V3J 7V7

Website: <http://www.GreenliteTraffic.com>

Phone: (604) 936-1961

Fax: (604) 936-1922

Toll Free: 1-888-936-1961

Email: info@GreenliteTraffic.com

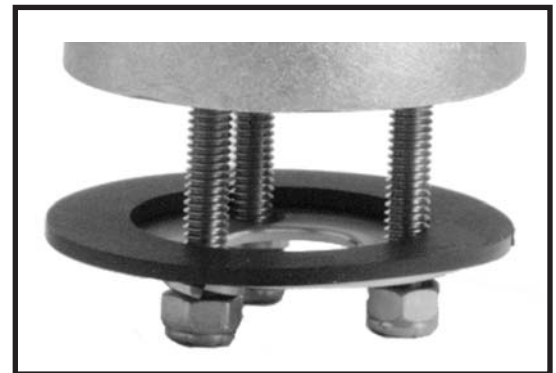
18" 2-WAY SPREADER KIT - GEL 410



- Highest quality
- Aluminum alloy casting. High purity. (BT3ST6) Heat treated.
- Powder coated Greenlite Traffic green (other colours upon request)
- Neoprene gasket on tubular for watertight connection for electrical wiring
- All stainless hardware
- Nylock nut locking system
- Shipping weight: 7 lbs 15 oz

TRI-STUD CONNECTOR ASSEMBLY

- This unique design greatly simplifies assembly and disassembly
- All stainless hardware
- Neoprene gasket for water - tight connections to signal housing
- Nylock nut locking system



Greenlite Traffic

P.O. Box 64551
Coquitlam, B.C. V3J 7V7
Website: <http://www.GreenliteTraffic.com>

Phone: (604) 936-1961
Fax: (604) 936-1922
Toll Free: 1-888-936-1961
Email: info@GreenliteTraffic.com

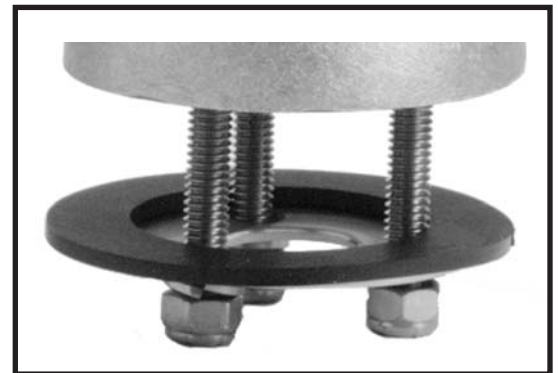
18" 2-WAY T-SECTION - GEL 411



- Highest quality construction
- Aluminum alloy casting. High purity. (B135T6) Heat treated.
- Powder coated Greenlite Traffic green (other colours upon request)
- All stainless hardware
- Nylock nut locking system
- Shipping weight: 2 lbs 12 oz

TRI-STUD CONNECTOR ASSEMBLY

- This unique design greatly simplifies assembly and disassembly
- All stainless hardware
- Neoprene gasket for water - tight connections to signal housing
- Nylock nut locking system



Greenlite Traffic

P.O. Box 64551
Coquitlam, B.C. V3J 7V7
Website: <http://www.GreenliteTraffic.com>

Phone: (604) 936-1961
Fax: (604) 936-1922
Toll Free: 1-888-936-1961
Email: info@GreenliteTraffic.com

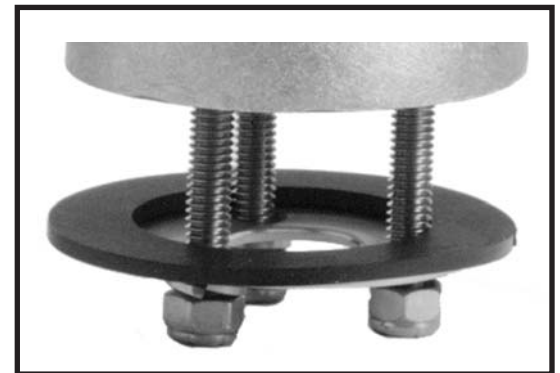
18" 2-WAY SPREADER KIT - GEL 421



- Highest quality construction
- Aluminum alloy casting. High purity. (E1 35T6) heat treated.
- Powder coated Greenlite Traffic green (other colours upon request)
- Neoprene gasket on tubular for watertight connection for electrical wiring
- All stainless hardware
- Nylock nut locking system
- Shipping weight: 4 lbs 11 oz

TRI-STUD CONNECTOR ASSEMBLY

- This unique design greatly simplifies assembly and disassembly
- All stainless hardware
- Neoprene gasket for water - tight connections to signal housing
- Nylock nut locking system



Greenlite Traffic

P.O. Box 64551
Coquitlam, B.C. V3J 7V7
Website: <http://www.GreenliteTraffic.com>

Phone: (604) 936-1961
Fax: (604) 936-1922
Toll Free: 1-888-936-1961
Email: info@GreenliteTraffic.com

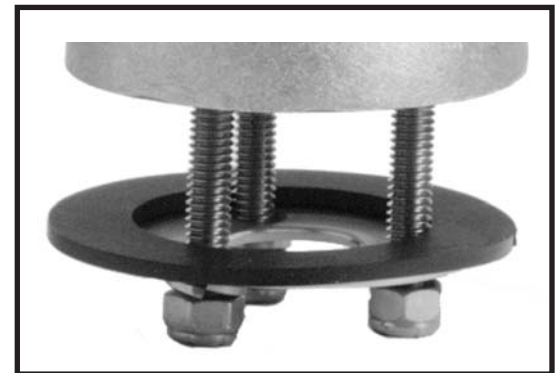
22" 3-WAY T-SECTION - GEL 432



- Highest quality construction
- Aluminum alloy casting. High purity. (B135T6) Heat treated.
- Powder coated Greenlite Traffic green (other colours upon request)
- All stainless hardware
- Nylock nut locking system
- Shipping weight: 5 lbs 1 oz

TRI-STUD CONNECTOR ASSEMBLY

- This unique design greatly simplifies assembly and disassembly
- All stainless hardware
- Neoprene gasket for water - tight connections to signal housing
- Nylock nut locking system



Greenlite Traffic

P.O. Box 64551
Coquitlam, B.C. V3J 7V7
Website: <http://www.GreenliteTraffic.com>

Phone: (604) 936-1961
Fax: (604) 936-1922
Toll Free: 1-888-936-1961
Email: info@GreenliteTraffic.com

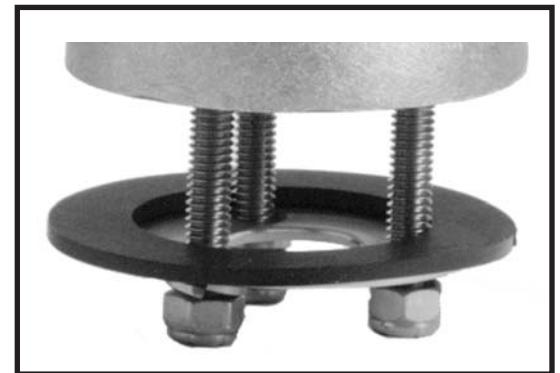
18" 3-WAY SPREADER KIT - GEL 440



- Highest quality construction
- Aluminum alloy casting.
- High purity. (B135T6) Heat treated.
- Powder coated Greenlite Traffic green (other colours upon request)
- Neoprene gasket on tubular for watertight connection for electrical wiring
- All stainless hardware
- Nylock nut locking system
- Shipping weight: 13 lbs 3 oz

TRI-STUD CONNECTOR ASSEMBLY

- This unique design greatly simplifies assembly and disassembly
- All stainless hardware
- Neoprene gasket for water - tight connections to signal housing
- Nylock nut locking system

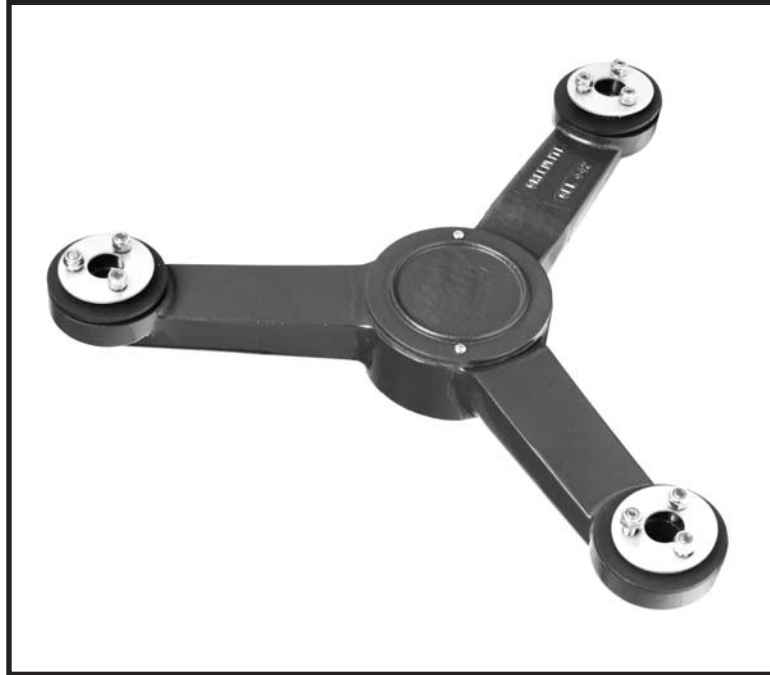


Greenlite Traffic

P.O. Box 64551
Coquitlam, B.C. V3J 7V7
Website: <http://www.GreenliteTraffic.com>

Phone: (604) 936-1961
Fax: (604) 936-1922
Toll Free: 1-888-936-1961
Email: info@GreenliteTraffic.com

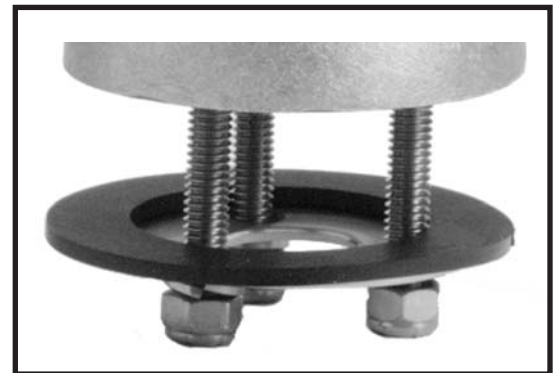
22" 3-WAY TUBULAR - GEL 442



- Highest quality construction
- Aluminum alloy casting. High purity. (B135T6) Heat treated.
- Powder coated Greenlite Traffic green (other colours upon request)
- All stainless hardware
- Nylock nut locking system
- Shipping weight: 6 lbs 8 oz

TRI-STUD CONNECTOR ASSEMBLY

- This unique design greatly simplifies assembly and disassembly
- All stainless hardware
- Neoprene gasket for water - tight connections to signal housing
- Nylock nut locking system



Greenlite Traffic

P.O. Box 64551
Coquitlam, B.C. V3J 7V7
Website: <http://www.GreenliteTraffic.com>

Phone: (604) 936-1961
Fax: (604) 936-1922
Toll Free: 1-888-936-1961
Email: info@GreenliteTraffic.com

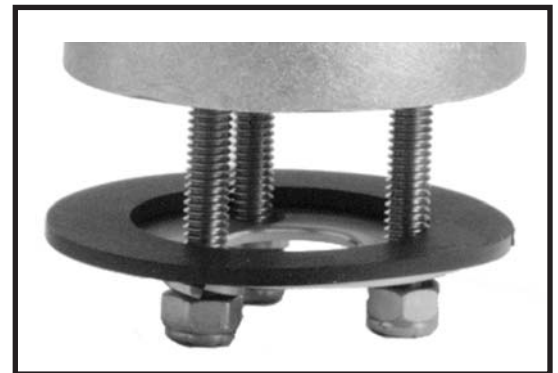
22" 4-WAY T-SECTION - GEL 452



- Highest quality construction
- Aluminum alloy casting. High purity. (B135T6) Heat treated.
- Powder coated Greenlite Traffic green (other colours upon request)
- All stainless hardware
- Nylock nut locking system
- Shipping weight: 6 lbs 12 oz

TRI-STUD CONNECTOR ASSEMBLY

- This unique design greatly simplifies assembly and disassembly
- All stainless hardware
- Neoprene gasket for water - tight connections to signal housing
- Nylock nut locking system

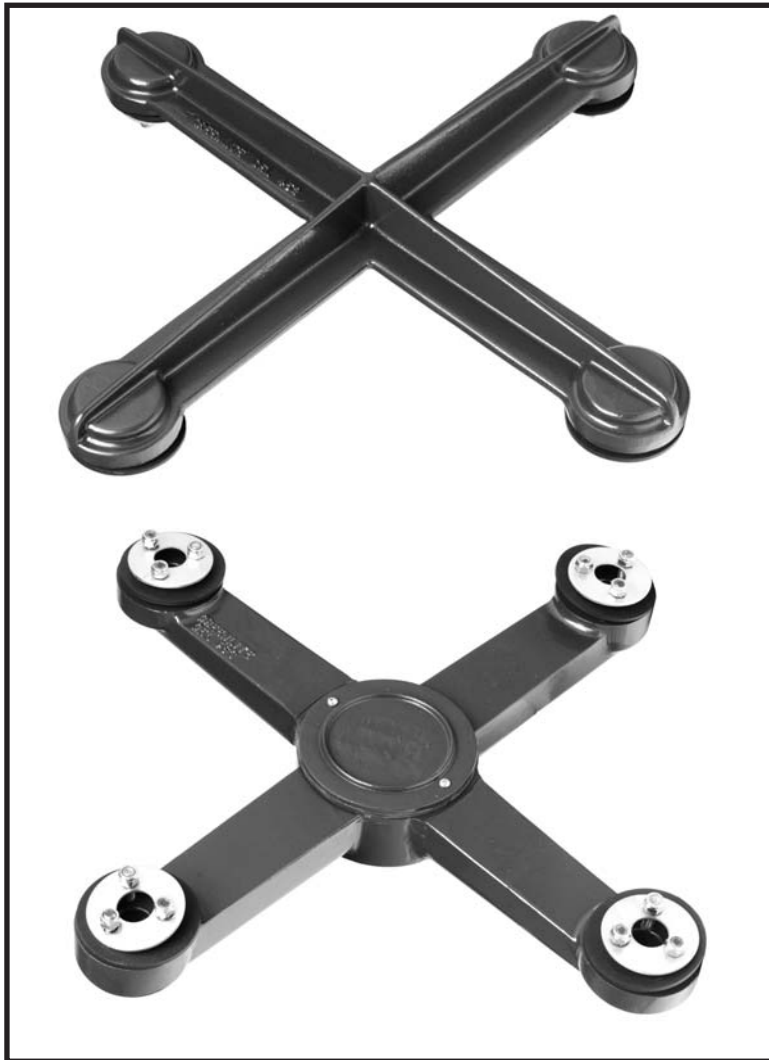


Greenlite Traffic

P.O. Box 64551
Coquitlam, B.C. V3J 7V7
Website: <http://www.GreenliteTraffic.com>

Phone: (604) 936-1961
Fax: (604) 936-1922
Toll Free: 1-888-936-1961
Email: info@GreenliteTraffic.com

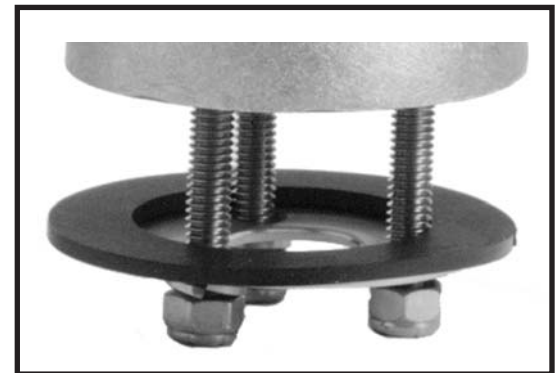
22" 4-WAY SPREADER KIT - GEL 460



- Highest quality construction
- Aluminum alloy casting. High purity. (BI 35T6) Heat treated.
- Powder coated Greenlite Traffic green (other colours upon request)
- Neoprene gasket on tubular for watertight connection for electrical wiring
- All stainless hardware
- Nylock nut locking system
- Shipping weight: 17 lbs 13 oz

TRI-STUD CONNECTOR ASSEMBLY

- This unique design greatly simplifies assembly and disassembly
- All stainless hardware
- Neoprene gasket for water - tight connections to signal housing
- Nylock nut locking system



Greenlite Traffic

P.O. Box 64551
Coquitlam, B.C. V3J 7V7
Website: <http://www.GreenliteTraffic.com>

Phone: (604) 936-1961
Fax: (604) 936-1922
Toll Free: 1-888-936-1961
Email: info@GreenliteTraffic.com

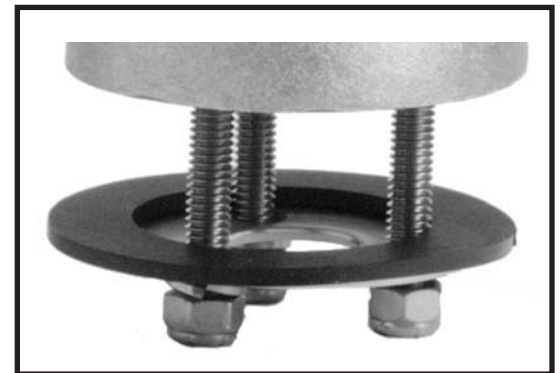
22" 4-WAY TUBULAR - GEL 462



- Highest quality construction
- Aluminum alloy casting. High purity. (Bi3ST6) heat treated.
- Powder coated Greenlite Traffic green (other colours upon request)
- Neoprene gasket on tubular for watertight connection for electrical wiring
- All stainless hardware
- Nylock nut locking system
- Shipping weight: 9 lbs 9 oz

TRI-STUD CONNECTOR ASSEMBLY

- This unique design greatly simplifies assembly and disassembly
- All stainless hardware
- Neoprene gasket for water - tight connections to signal housing
- Nylock nut locking system



Greenlite Traffic

P.O. Box 64551
Coquitlam, B.C. V3J 7V7
Website: <http://www.GreenliteTraffic.com>

Phone: (604) 936-1961
Fax: (604) 936-1922
Toll Free: 1-888-936-1961
Email: info@GreenliteTraffic.com