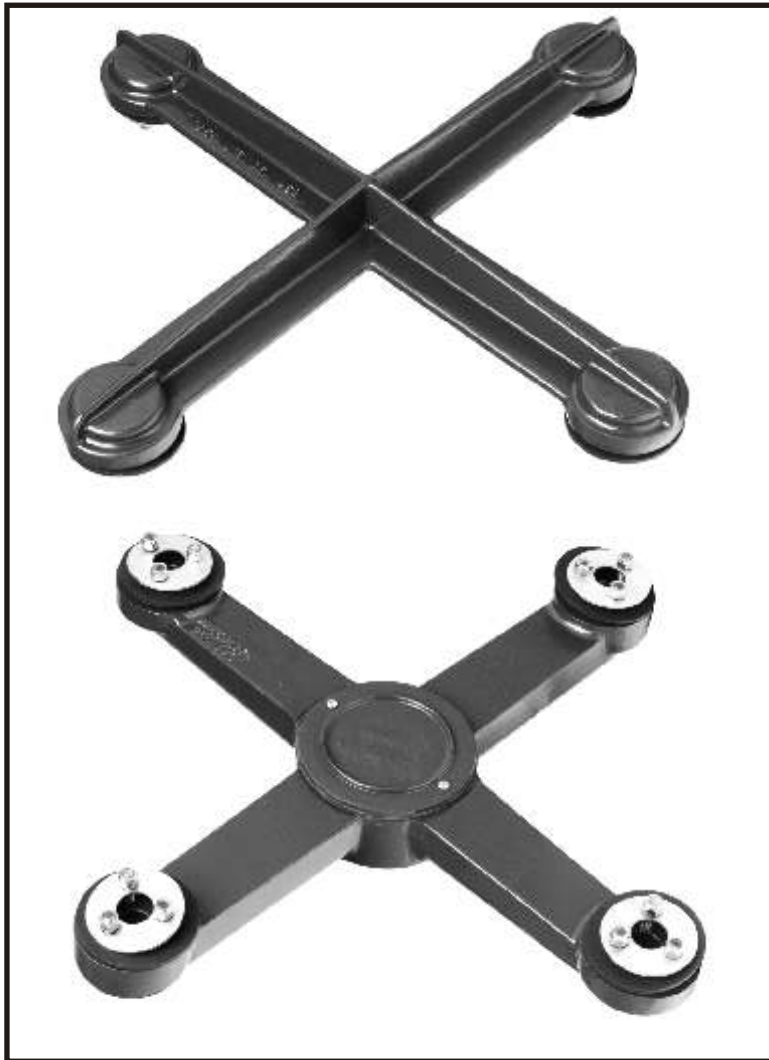


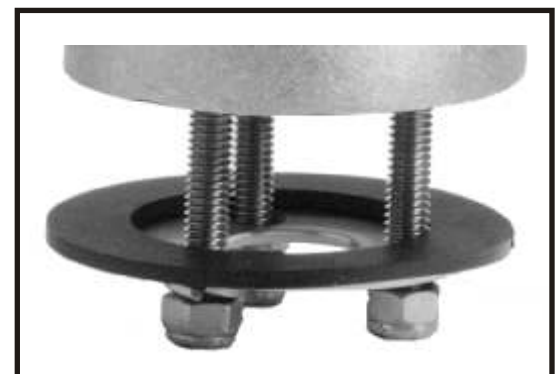
22" 4-WAY SPREADER KIT - GEL 460



- Highest quality construction
- Aluminum alloy casting. High purity. (BI 35T6) Heat treated.
- Powder coated Greenlite Traffic green (other colours upon request)
- Neoprene gasket on tubular for watertight connection for electrical wiring
- All stainless hardware
- Nylock nut locking system
- Shipping weight: 17 lbs 13 oz

TRI-STUD CONNECTOR ASSEMBLY

- This unique design greatly simplifies assembly and disassembly
- All stainless hardware
- Neoprene gasket for water - tight connections to signal housing
- Nylock nut locking system



Greenlite Traffic

P.O. Box 64551
Coquitlam, B.C. V3J 7V7
Website: <http://www.GreenliteTraffic.com>

Phone: (604) 936-1961
Fax: (604) 936-1922
Toll Free: 1-888-936-1961
Email: info@GreenliteTraffic.com