

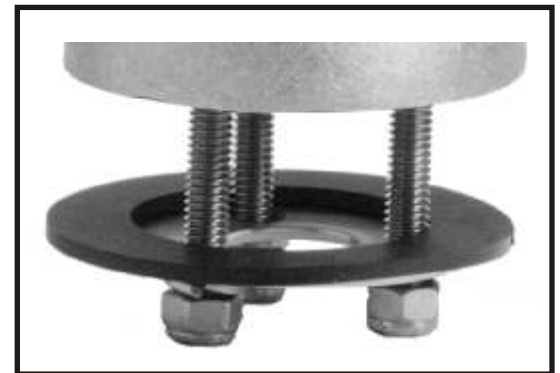
## 18" 3-WAY SPREADER KIT - GEL 440



- Highest quality construction
- Aluminum alloy casting.
- High purity. (B135T6) Heat treated.
- Powder coated Greenlite Traffic green (other colours upon request)
- Neoprene gasket on tubular for watertight connection for electrical wiring
- All stainless hardware
- Nylock nut locking system
- Shipping weight: 13 lbs 3 oz

### TRI-STUD CONNECTOR ASSEMBLY

- This unique design greatly simplifies assembly and disassembly
- All stainless hardware
- Neoprene gasket for water - tight connections to signal housing
- Nylock nut locking system



**Greenlite Traffic**

P.O. Box 64551  
Coquitlam, B.C. V3J 7V7  
Website: <http://www.GreenliteTraffic.com>

Phone: (604) 936-1961  
Fax: (604) 936-1922  
Toll Free: 1-888-936-1961  
Email: [info@GreenliteTraffic.com](mailto:info@GreenliteTraffic.com)